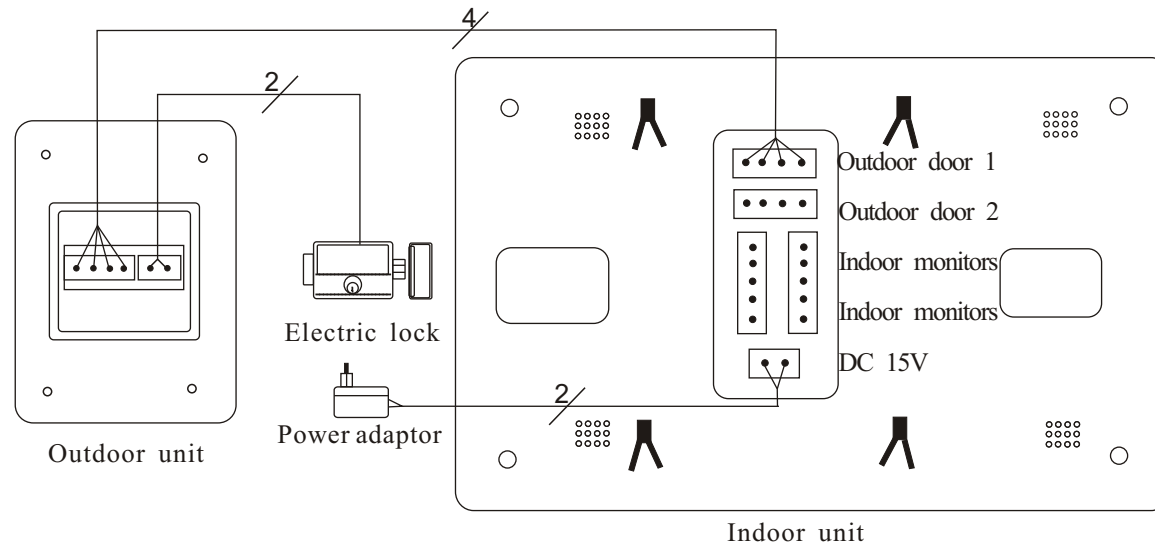
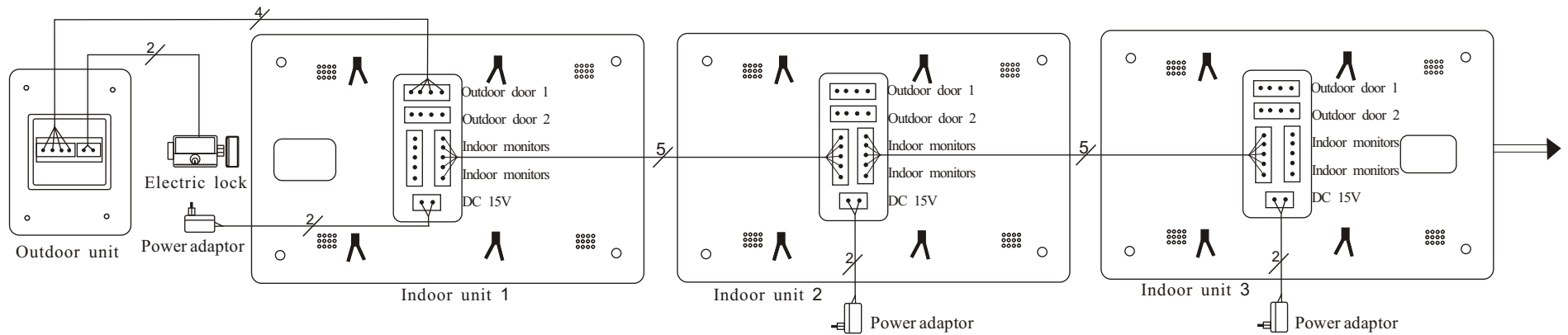


Model A: one-to-one (one outdoor station with one indoor phone)



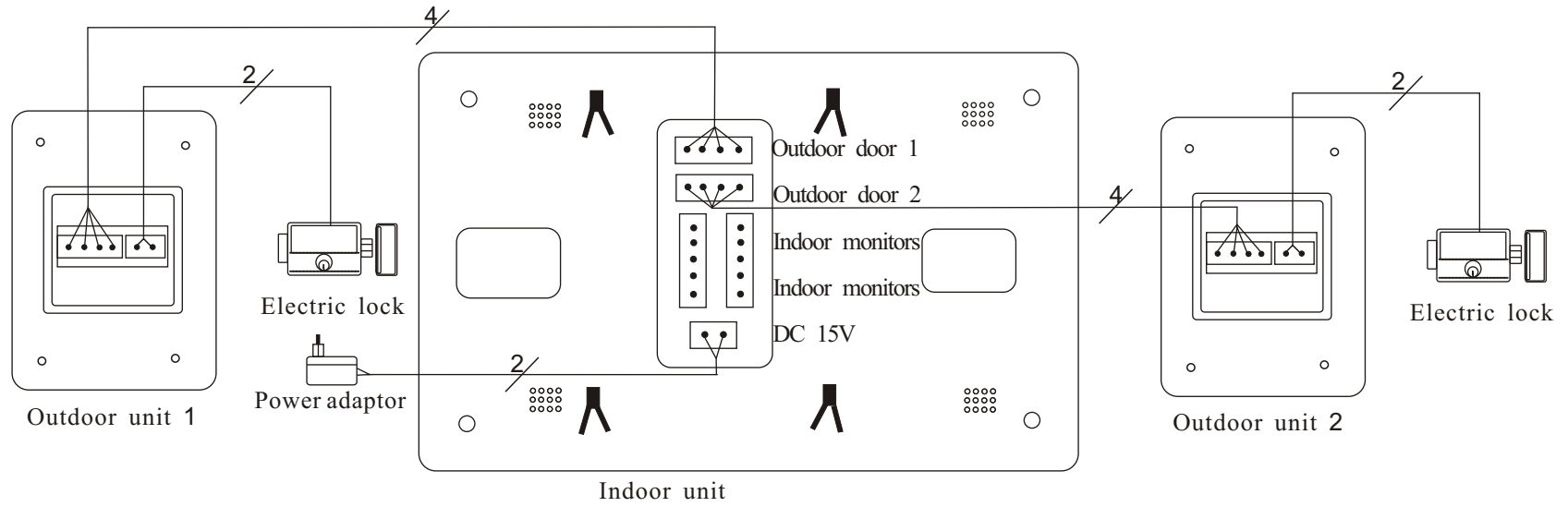
**One-to-one:** plug one end of the 4P connecting wires to the backside socket of the outdoor phone, plug the other end to the “outdoor phone 1” on the back of the indoor phone, and then plug the 2P plug of the power adapter into the back socket of the outdoor phone. When the power adapter is power on, it can work.

Model B: one-to-more (one outdoor station with many indoor phones)



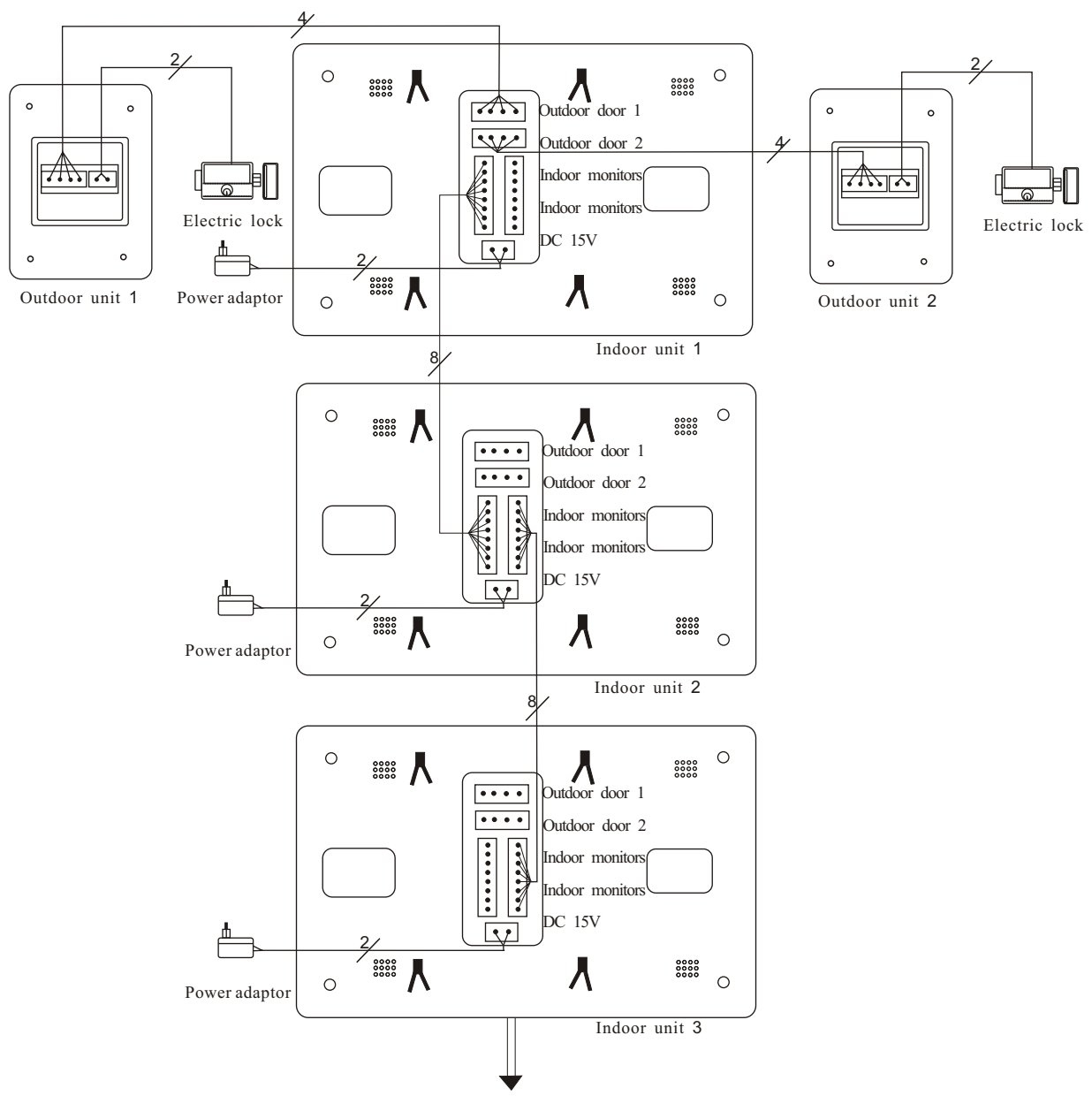
**One-to-more:** according to the connecting ways of “One to one”, after you connect more indoor phones with DC 15V power, plug 5P connecting wires into any “indoor phone” position on the back of the indoor phone.

Model C: two-to-one (two outdoor stations with one indoor phone)

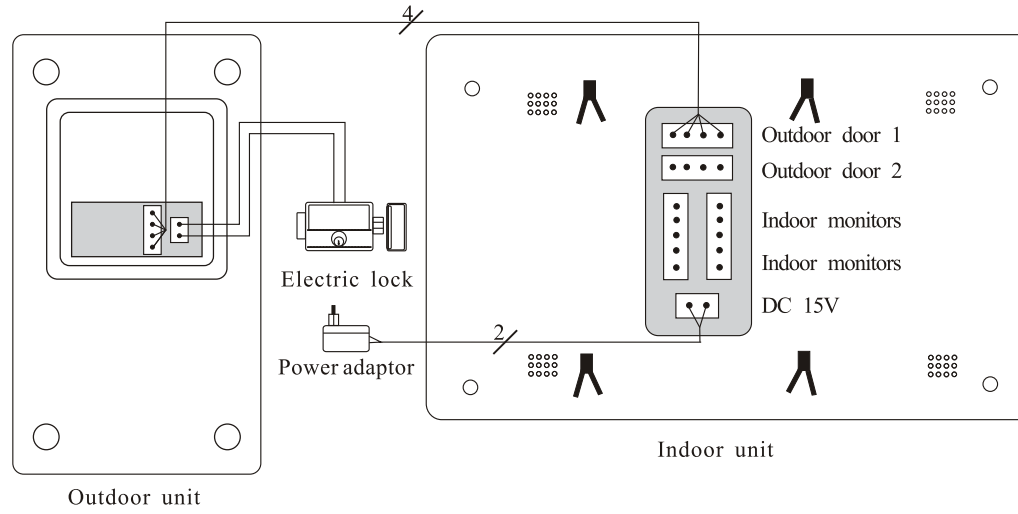


**Two-to-one:** according to the connecting ways of “One to one, you can connect the other outdoor phone into the position “outdoor phone 2” on the back of the indoor phone.

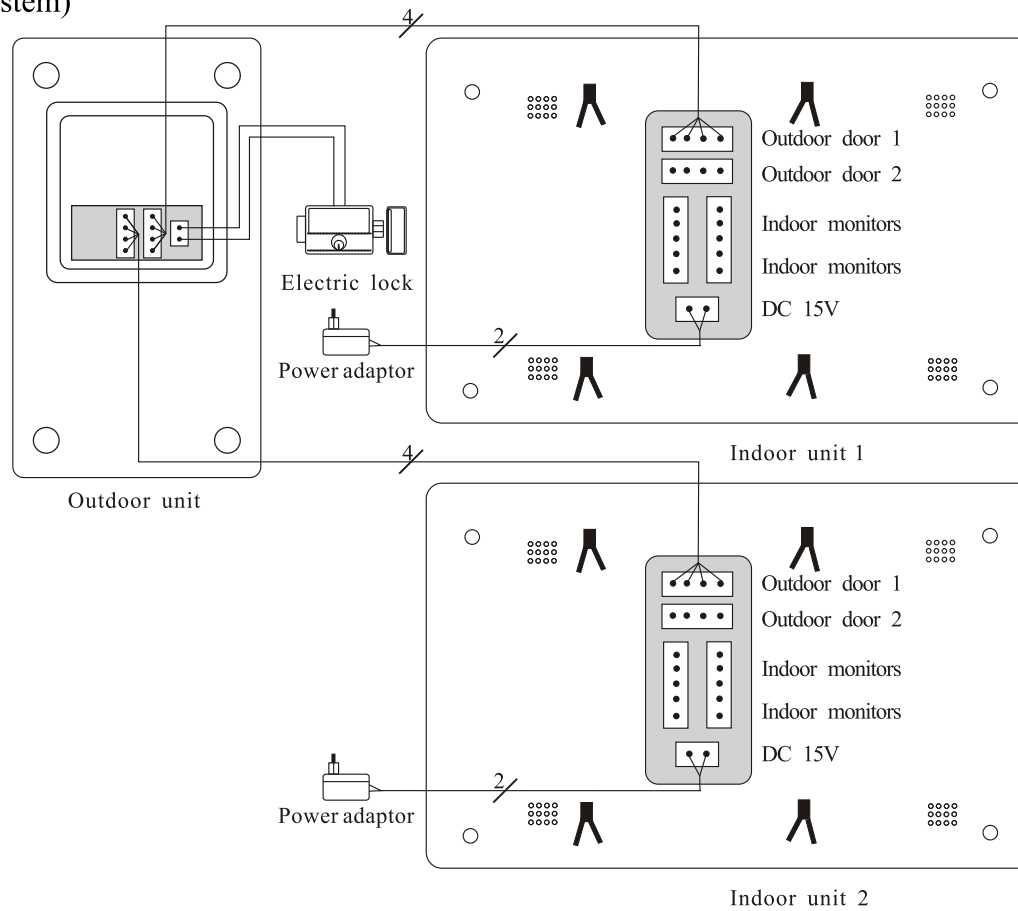
Model D: two-to-more (two outdoor stations with many indoor phones)



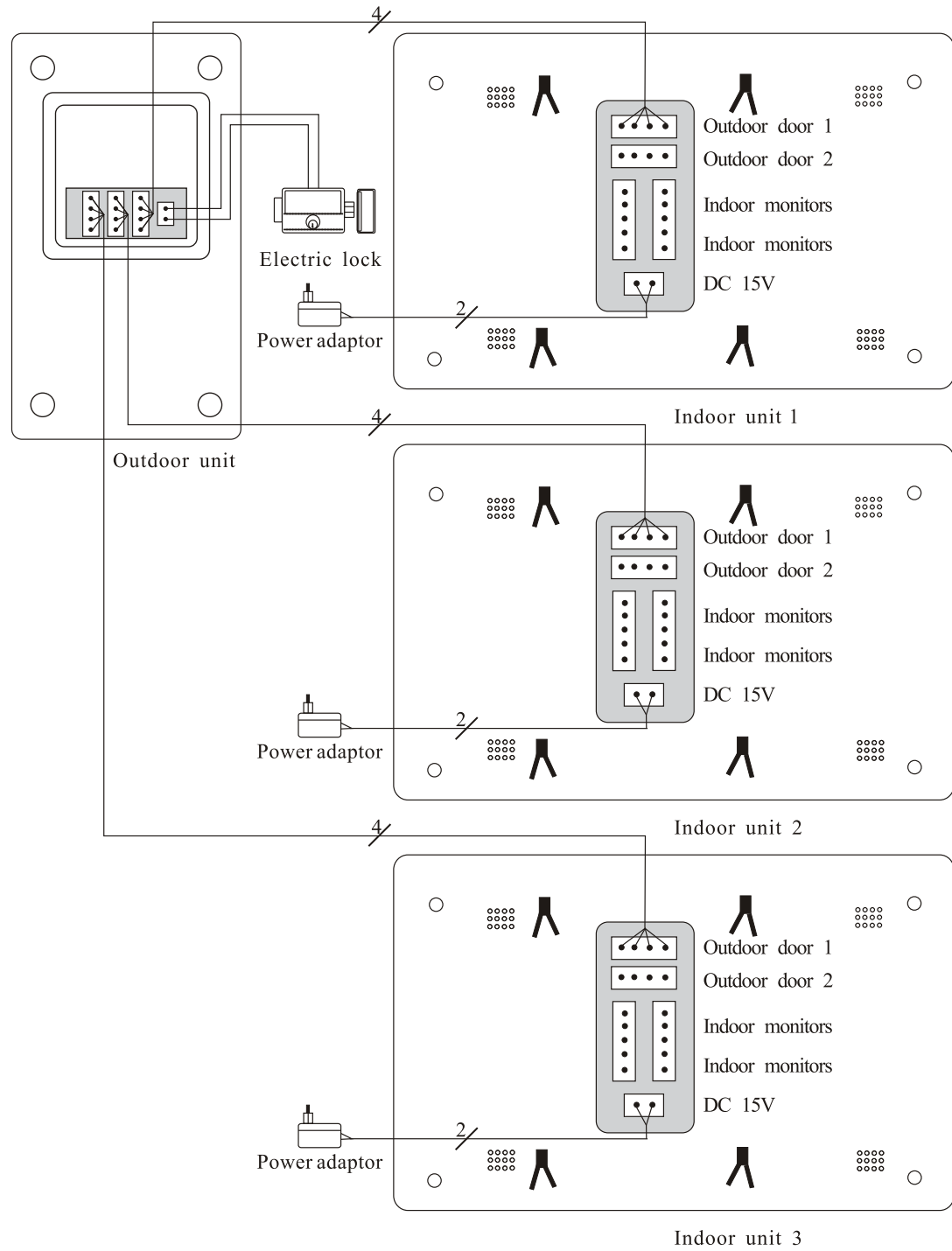
Type: C4-1 (One family system)



Type: C4-2-S2M (Two families system)



Type: C4-3-S3M (Three families system)



Type: C4BI-4-S4M  
(4 families system with card reader function)

